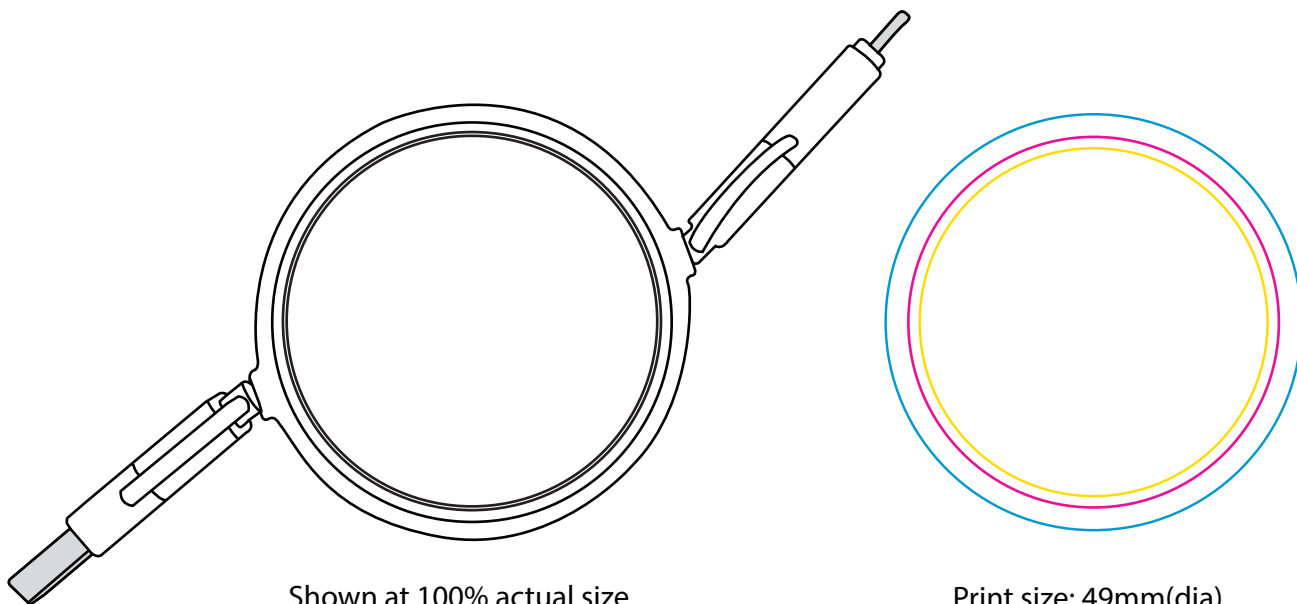


Product: PCBA136
Product Size: 14 x 5 x 2cm,1m
Decoration Options: Engraving,Epoxy dome,UV Print

Epoxy dome



Shown at 100% actual size

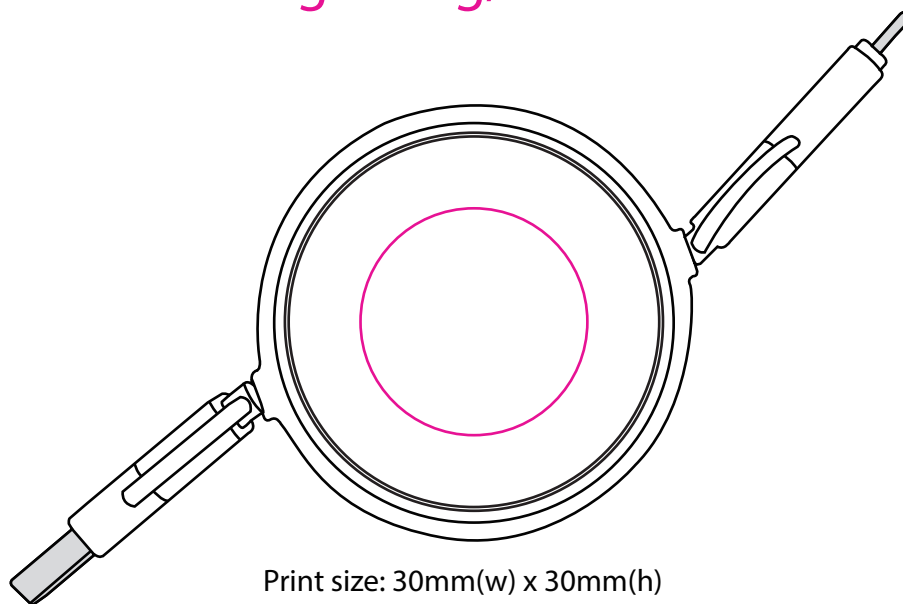
Print size: 49mm(dia)

— Knife line

— Safe print area

— Bleed line

Engraving/UV Print



Print size: 30mm(w) x 30mm(h)